

MONITOR TR SERIES

Tamper Resistant Buttons

The TR (Tamper Resistant) Series will stand up to hard use.



TR1000



TR1100 with halo



TR1500 with clear halo



1.877.849.4334 • www.mcontrols.com

© 2014 MONITOR ELEVATOR PRODUCTS

MONITOR

MONITOR TR SERIES

Tamper Resistant Buttons

Button Description: Model: TR Series has 5 available sizes; TR1000 1" dia., TR1100* 1 1/8" dia., TR1200 1 1/4" dia., TR1300 1 3/8" dia., TR1500 1 5/16" X 1 5/16" dia.

* Available with halo or clear cap and halo

Material: Available in Stainless Steel, Muntz and Bronze finish

Custom Materials Available upon request.

Finishes: #4 Brushed, #6 Brushed, #8 Mirror, Non Directional, Oxidized, Custom Finishes Available

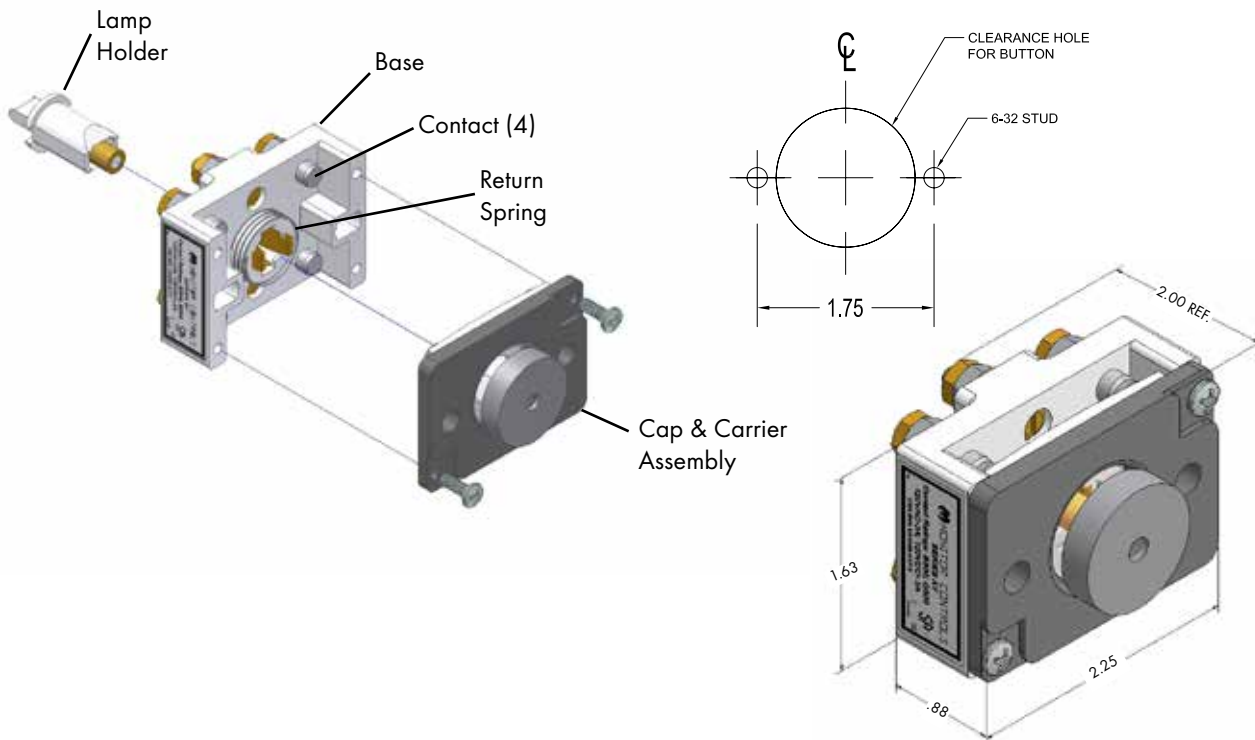
Buttons Available:

- In Flat, Radius or Domed profile
- With or without center light up jewel
- With LED or incandescent illumination
- With surface or thru engraved characters

Buttons Halo for Model TR1100:

- Standard Colors, Black, Milk White, Clear
- 1 3/8" Outside Diameter, custom sizes & colors available

Note: To specify button, include model, material, finish profile and halo color, if applicable. Custom buttons available. Call for more information.



1.877.849.4334 • www.mcontrols.com

© 2014 MONITOR ELEVATOR PRODUCTS

MONITOR