

MONITOR PC SERIES

Round Plastic Buttons



PC1040



PC1040 with floor marking



PC1040 with direction arrow



PC1040 with red lettering

Available as a Multi-Volt Button



1.877.849.4334 • www.mcontrols.com

© 2014 MONITOR ELEVATOR PRODUCTS

MONITOR

MONITOR PC SERIES Round Plastic Buttons

Button Description: Model: PC1040 is a 1 1/8" diameter white plastic button with a clear protective cap and a 1 3/8" diameter black halo

Material: Polycarbonate

Buttons Available:

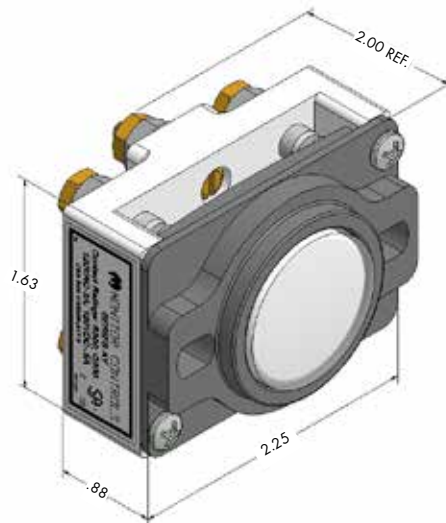
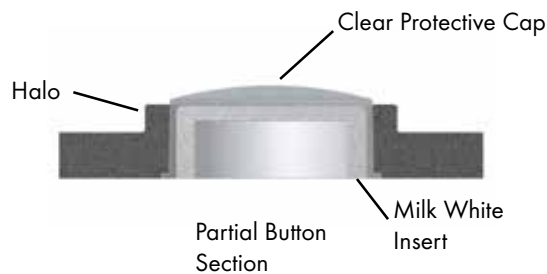
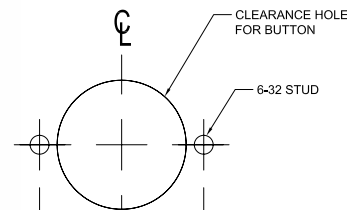
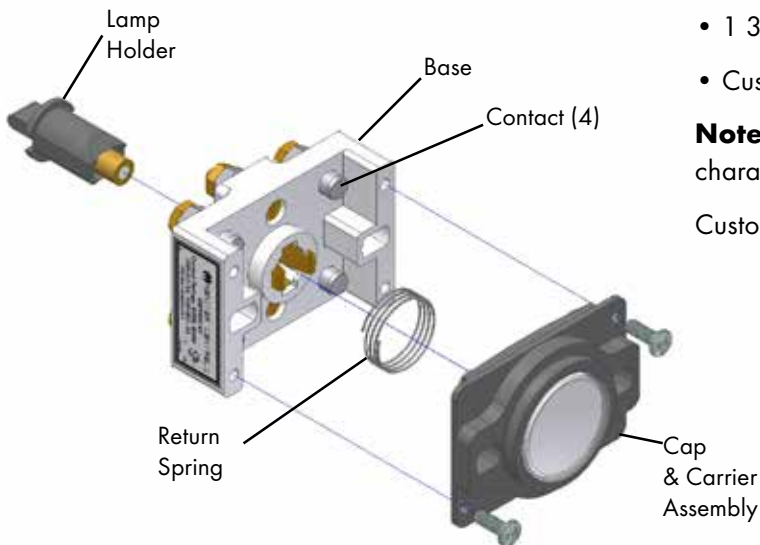
- With or without illumination
- With LED or incandescent illumination
- With or without characters
(Black and Red standard, custom colors available)

Buttons Halo for Model PC1040:

- Standard color is black
- 1 3/8" Outside diameter
- Custom sizes and colors available

Note: To specify button, include model and character if applicable.

Custom buttons available. Call for more information.



1.877.849.4334 • www.mcontrols.com

© 2014 MONITOR ELEVATOR PRODUCTS

M
O
N
I
T
O
R