

MONITOR HPS SERIES

Positive Stop Buttons

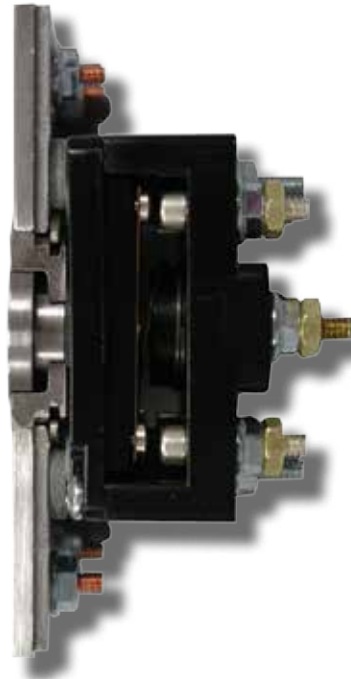
The HPS (Halo Positive Stop) Series is a vandal resistant button that will stand up to abuse.



HPS1300 with jewel



HPS1300 with engraved characters



HPS1300 - cross section
(not actual size)



1.877.849.4334 • www.mcontrols.com

© 2014 MONITOR ELEVATOR PRODUCTS

MONITOR

MONITOR HPS SERIES Positive Stop Buttons

Button Description: Model: HPS1300 is a 1" diameter metal button with a 1 3/8" metal halo. Note that the button seats firmly on the halo and not on the contacts.

Material: Available in Stainless Steel and Muntz metal

Buttons Available:

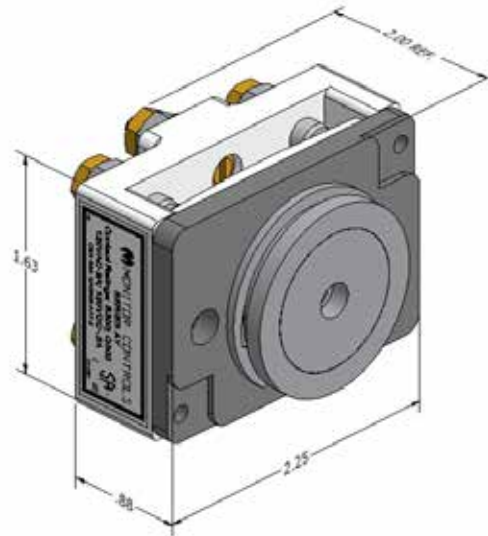
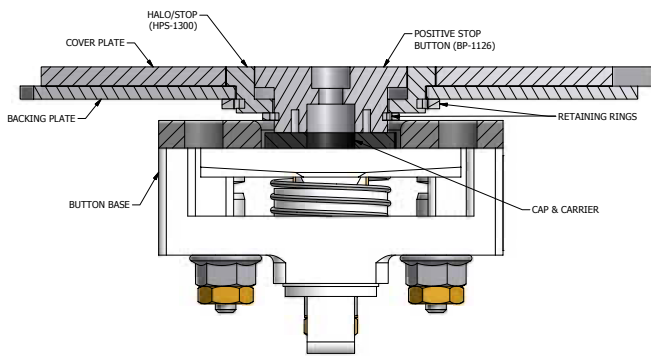
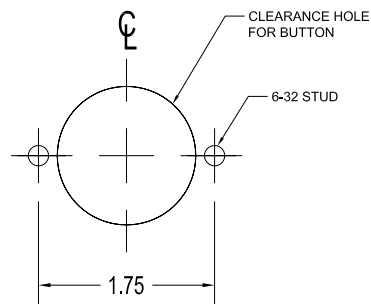
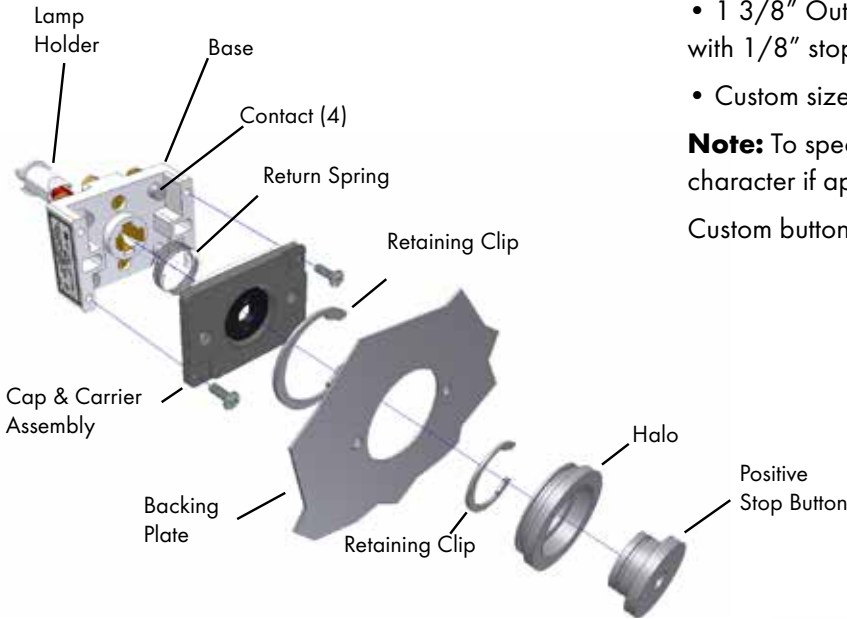
- With or without illumination
- With LED or incandescent illumination
- With or without characters, non-illuminated only (Black and Red standard, custom colors available)

Buttons Halo for Model HPS1300:

- 1 3/8" Outside diameter, 1/4" overall depth with 1/8" stopping thickness
- Custom sizes and colors available

Note: To specify button, include model and character if applicable.

Custom buttons available. Call for more information



1.877.849.4334 • www.mcontrols.com

© 2014 MONITOR ELEVATOR PRODUCTS

M
O
N
I
T
O
R