



**Vandal-Proof Products**

# Electronic Micro Systems Inc.'s **Vandal-Proof Products**

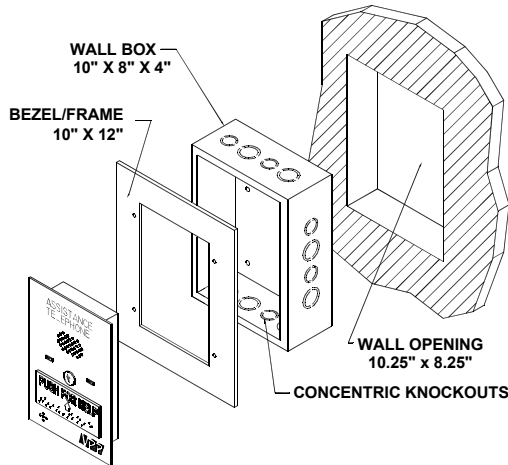
125 Ricefield Lane • Hauppauge, NY 11788  
631-864-4742 • 800-501-7790 • fax: 631-864-4770  
www.vandalproof.com

DEPENDABLE EMERGENCY COMMUNICATIONS

A  
HALMA GROUP  
COMPANY

## MODELS AE742 and AE743

*Enclosures for T1250S*



**AE742 Flush Mount**

The AE742 is a painted, cold-rolled steel box that facilitates mounting the T1250S emergency telephone flush in a wall. The box contains knockouts for easy wiring access. Included are screws and a stainless steel bezel to mount the T1250S to the box. The bezel overlaps the box to hide rough-in.

The AE743 is a painted, cold-rolled steel box that facilitates mounting the T1250S on the surface of a wall. Included are screws and a stainless steel bezel to mount the T1250S to the box.

### *Specifications*

#### **Mechanical**

##### **Dimensions:**

**AE742 Box:** 10" H x 8" W x 4" D

**Bezel:** 12" H x 10" W

**AE743 Box:** 10" H x 8" W x 4" D

**Bezel:** 10" H x 8" W

##### **Materials:**

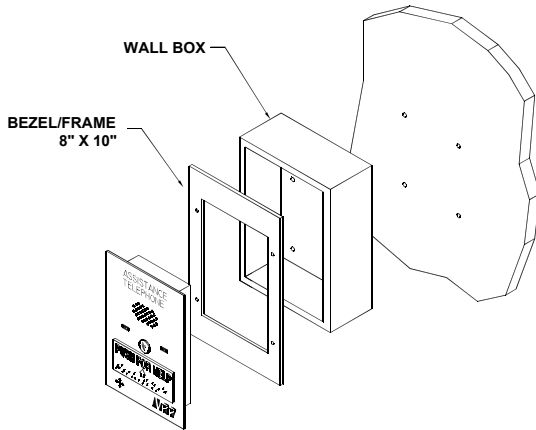
**Wall Box:** Painted cold-rolled steel (gray)

**Bezel:** 16 Ga. (.062") stainless steel

**Mounting Holes:** (4) Holes in rear

**Weight:** AE742 - 6.5 lbs.

AE743 - 6.0 lbs.



**AE743 Surface Mount**

AE742.030602

Due to the dynamic nature of the product design, the information contained in this document is subject to change without notice. EMS, its affiliates and/or subsidiaries assume no responsibility for errors and/or omissions contained in this information. Revisions of this document or new editions of it may be issued to incorporate such changes.