

# **Monitor** *TR Series*

## *Tamper Resistant Buttons*



TR1000



TR1000



TR1100



TR1100 with black halo



TR1200



TR1300



TR1500 with clear halo



**Monitor** *Controls*

# Monitor Controls TR Series

## Tamper Resistant Buttons

### BUTTON SIZES

Model	Size
TR1000	1" Dia.
TR1100*	1 1/8" Dia.
TR1200	1 1/4" Dia.
TR1300	1 3/8" Dia.
TR1500	1 5/16" X 1 5/16"

\*Available with halo or clear cap and halo

### BUTTON PROFILES



Flat



Radius



Domed

### ALL BUTTONS AVAILABLE

- In Flat, Radius or Domed profile
- With or without center light up jewel
- With LED or incandescent illumination
- With surface or thru engraved characters

### MATERIALS

- Stainless Steel
- Muntz
- Bronze
- Custom Materials Available

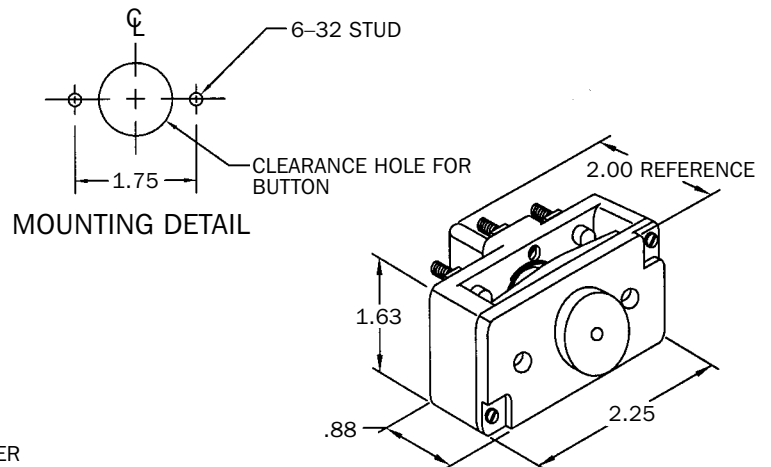
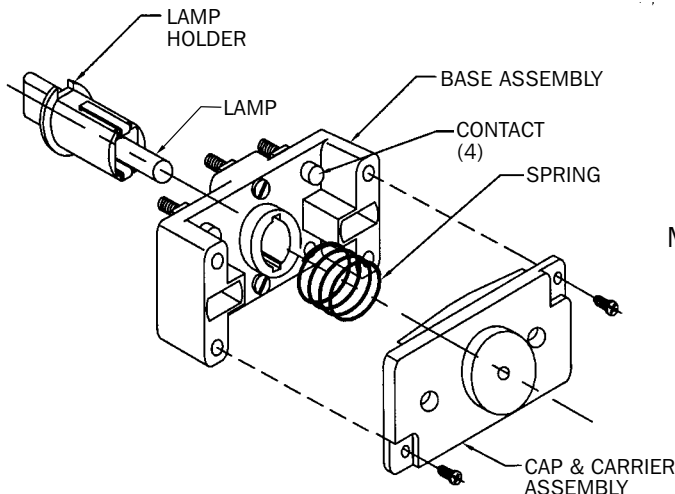
### BUTTON HALO FOR MODEL TR1100

- Standard Colors, Black, Milk White, Clear
- 1 3/8" Outside Diameter
- Custom Sizes & Colors Available

### FINISHES

- #4 Brushed
- #6 Brushed
- #8 Mirror
- Non Directional
- Oxidized
- Custom Finishes Available

NOTE: To specify button, include model, material, finish, profile and halo color, if applicable. Custom buttons available. Call for more information.



## Monitor Controls

125 Ricefield Lane • Hauppauge, New York 11788  
Tel: 631.543.4334 • Toll Free: 1.877.849.4334 • Fax: 631.543.4372  
Web Site: [www.mcontrols.com](http://www.mcontrols.com) • E-mail: [sales@mcontrols.com](mailto:sales@mcontrols.com)

A  
HALMA GROUP  
COMPANY