

Monitor *PC Series*

Round Plastic Buttons



PC1040



PC1040 with floor marking



PC1040 with direction arrow



PC1040 with red lettering



Monitor *Controls*

Monitor Controls *PC Series*

Round Plastic Buttons

BUTTON DESCRIPTION

Model: PC1040

- 1 1/8" diameter white plastic button with clear protective cap and 1 3/8" diameter black halo

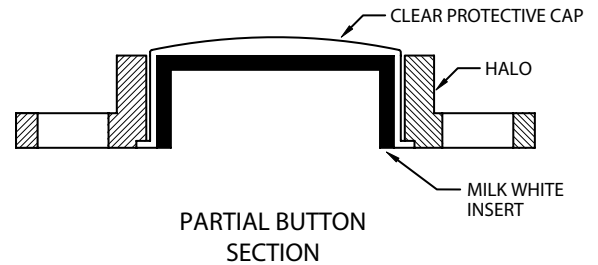
ALL BUTTONS AVAILABLE

- With or without illumination
- With LED or incandescent illumination
- With or without characters
(Black and Red standard, custom colors available)

MATERIAL

- Polycarbonate

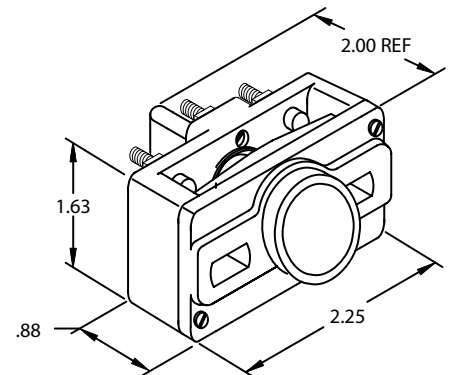
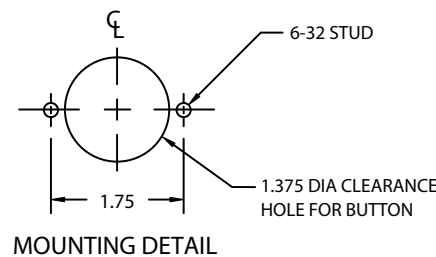
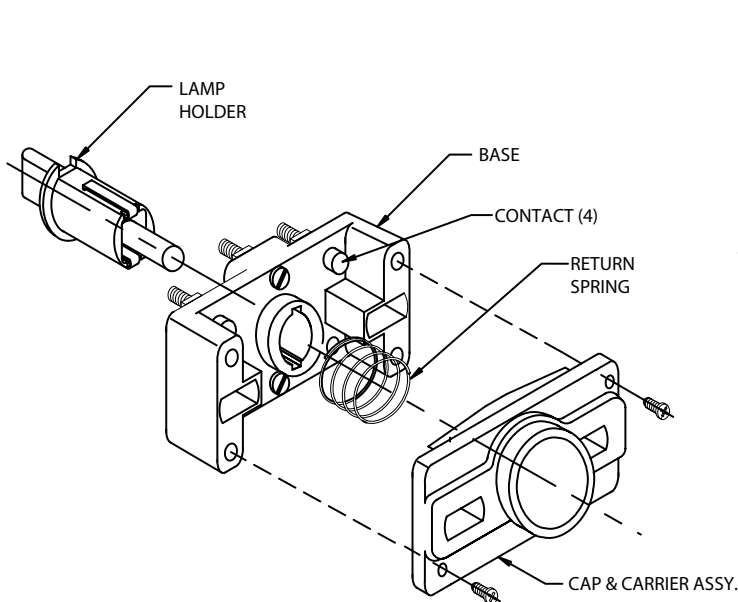
BUTTON PROFILES



BUTTON HALO FOR MODEL PC1040

- Standard Color - Black
- 1 3/8" Outside Diameter
- Custom Sizes & Colors Available

NOTE: To specify button, include model and character if applicable. Custom buttons available. Call for more information.



Monitor Controls

125 Ricefield Lane • Hauppauge, New York 11788

Tel: 631.543.4334 • Toll Free: 1.877.849.4334 • Fax: 631.543.4372

Web Site: www.mcontrols.com • E-mail: sales@mcontrols.com

A
HALMA GROUP
COMPANY