

# **Monitor** *HPS Series*

*Positive Stop Buttons*



HPS1300 with jewel



HPS1300 with engraved characters



HPS1300 - Button assembly  
cross section (not actual size)



**Monitor** *Controls*

# Monitor Controls HPS Series

## Positive Stop Buttons

### BUTTON DESCRIPTION

Model: HPS1300

- 1" diameter metal button with 1<sup>3</sup>/<sub>8</sub>" diameter metal halo.
- (Note - button seats firmly on halo, not on contacts)

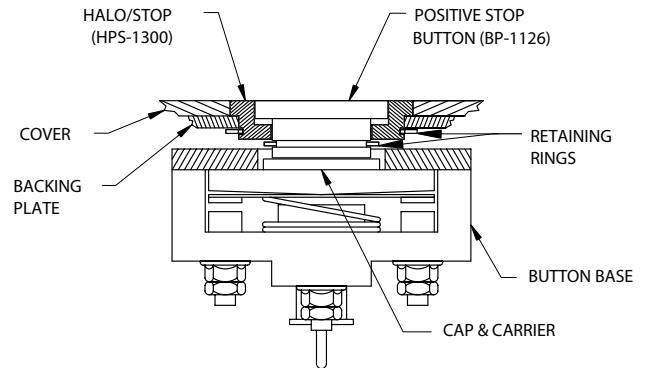
### ALL BUTTONS AVAILABLE

- With or without illumination
- With LED or incandescent illumination
- With or without characters (non-illuminated only)
- (Black and Red standard, custom colors available)

### MATERIAL

- Stainless Steel
- Muntz

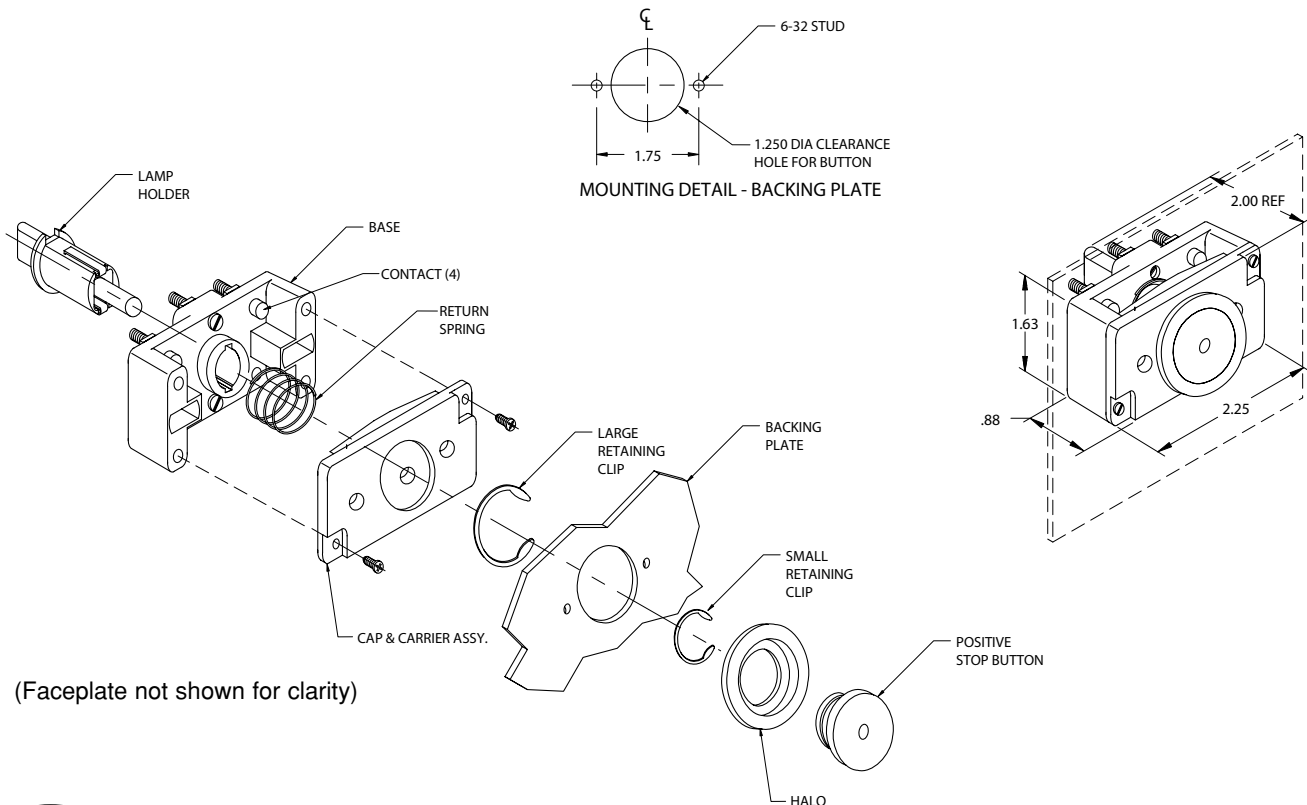
### BUTTON PROFILES



### BUTTON HALO FOR MODEL HPS1300

- 1<sup>3</sup>/<sub>8</sub>" Outside Diameter, 1/4" overall depth with 1/8" stopping thickness

NOTE: To specify button, include model and character if applicable. Custom buttons available. Call for more information.



## Monitor Controls

125 Ricefield Lane • Hauppauge, New York 11788

Tel: 631.543.4334 • Toll Free: 1.877.849.4334 • Fax: 631.543.4372

Web Site: [www.mcontrols.com](http://www.mcontrols.com) • E-mail: [sales@mcontrols.com](mailto:sales@mcontrols.com)

A  
HALMA GROUP  
COMPANY